

AVENUE MF 1600-40 GHE 3S

Dimensions (mm)

- combustion opening WxDxH: 1657x336x390
- external WxDxH: 1728x444x770
- diameter flue: $\varnothing 130/200$ or $(*) \varnothing 100/150$

TECHNICAL DATA

- Gascat: I2E+, I2E, I2H, I2L, I2ELL
- ECOLABEL: B
- load input: 11,40kW
- load output: 9,50 kW
- efficiency capacity: 83,3 %
- type of gas/pressure: G20/G25

- Gascat: I3B/P, I3+
- ECOLABEL: B
- load input: 9,20 kW
- load output: 7,60 kW
- efficiency capacity: 83,1 %
- type of gas/pressure: G30/G31

- Appliance type: C11,C31,C91
C12,C32,C42,C52,C82
- Weight: 150 kg
- Convection air inlet: min700cm² (4x $\varnothing 150$)
- Convection air outlet: min700cm² (4x $\varnothing 150$)

SPECIFICATIONS

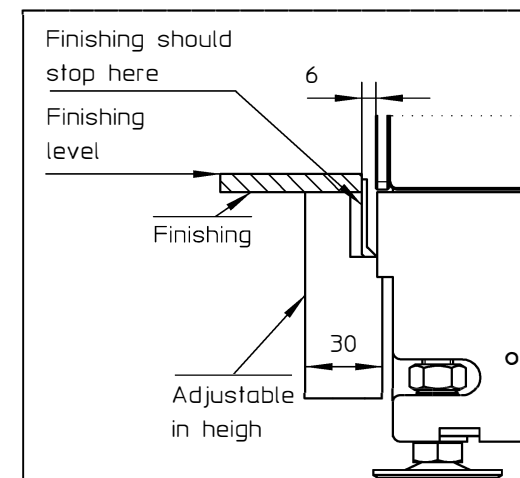
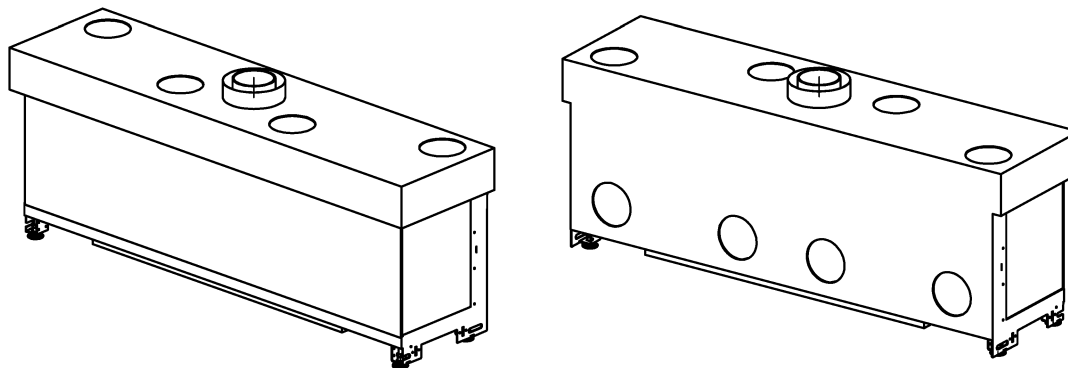
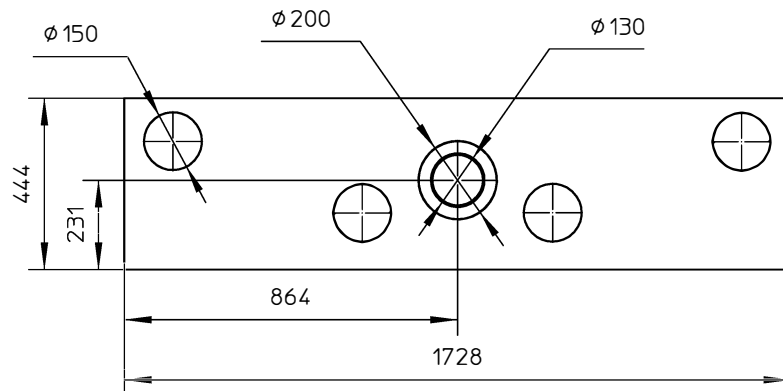
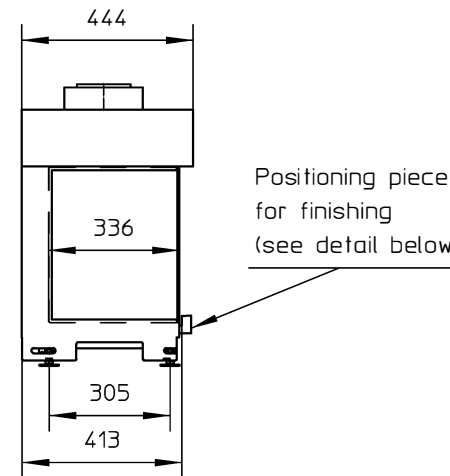
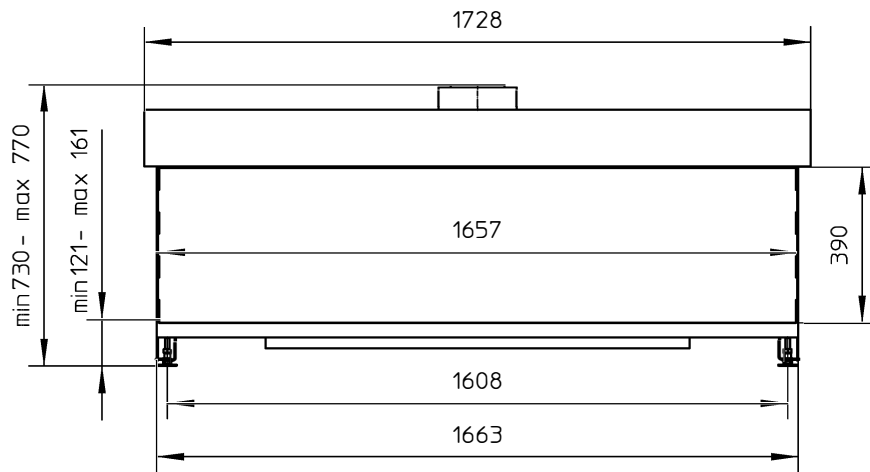
- Only available with ceramics wood logs
- Ionization-protected pilot-flame
- Radiographic remote controle with thermostatic mode
- Inside finishing: heat-resistant black paint
- Gas/electrical connections at the left side (optional right side)

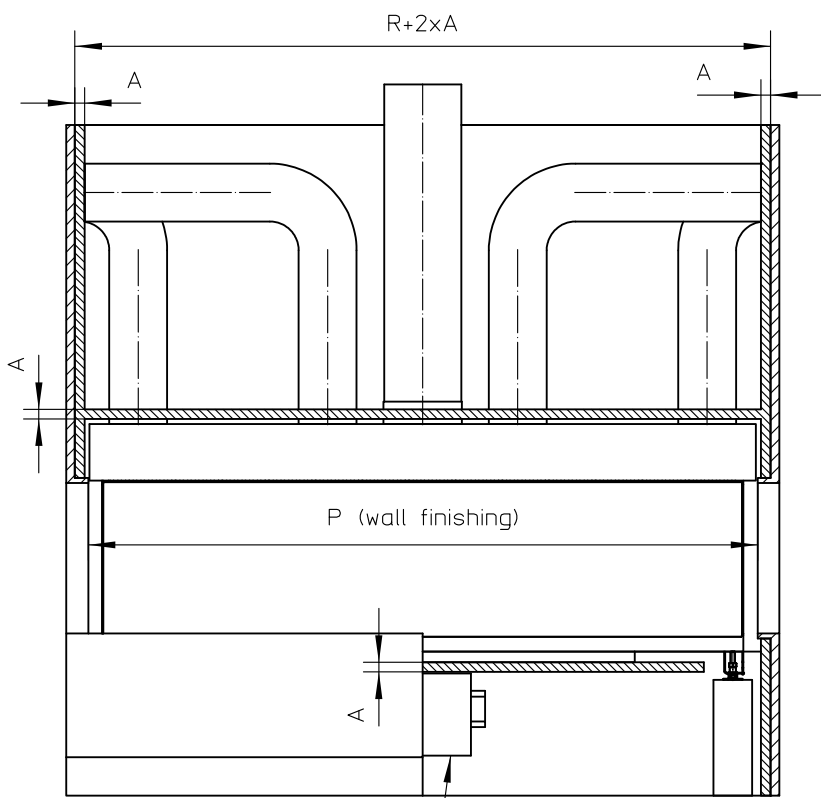
OPTIONS

- interior finishing: ORIGINAL (ribbed cast iron)
- Standard (steel)

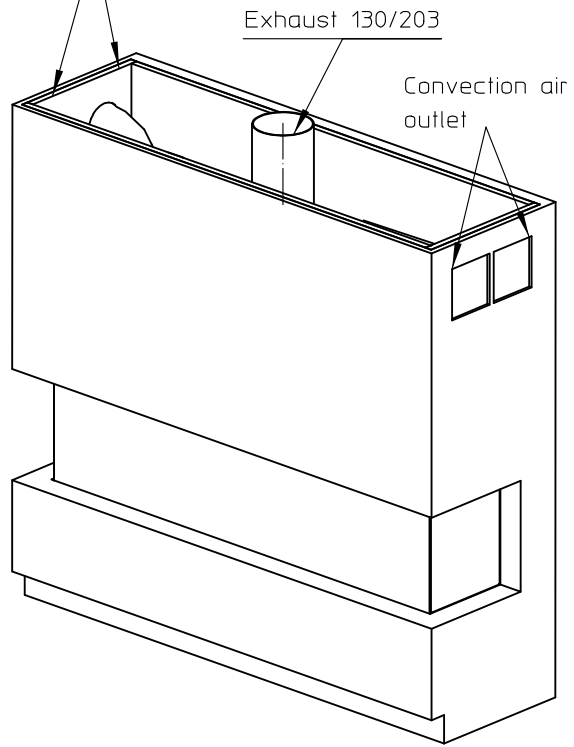
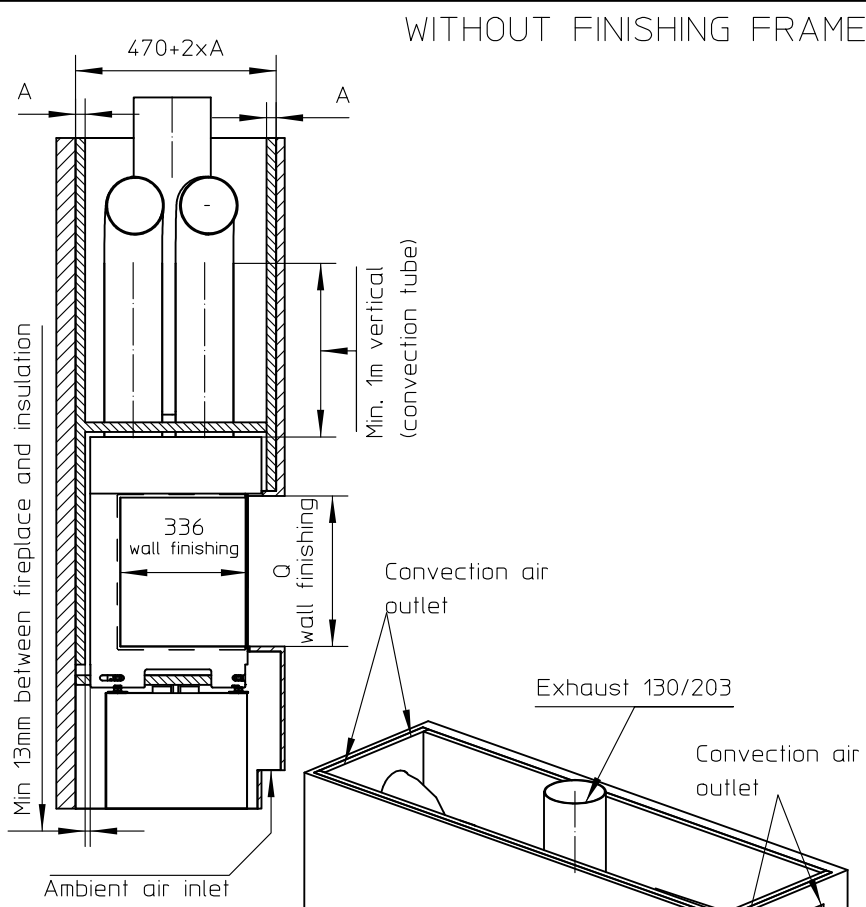
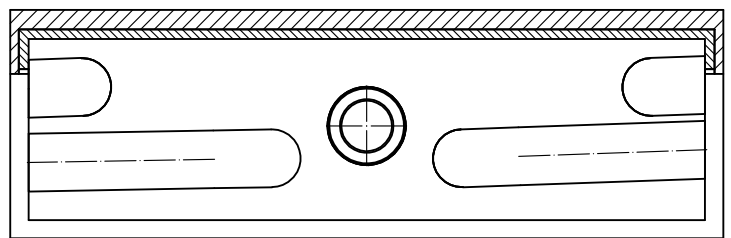
First aid and technical support:



- support@metalfire.eu
- +32 (0)9 261 50 57





Electrical/gas controlle unit
 Standard connected with 1m flexible tube.
 Optional: connected on right side and/or with an additional 1m tube(AT ORDER)
 FORESEE ENOUGH AIR FLOW FOR COOLING



 Combustable finishing material
 Insulation
 Insulation thickness = > see table

AVENUE Patented

metalfire

Technical Document

AVENUE MF 1600-40 GHE 3S

Prescribed insulation thickness (mm)

Combustable finishing material

Metalfire recommended Promasil 1100L (TC=0,081 W/mK)	A = 25mm
--	----------

Non-combustable finishing material

non-combustable materials structural building items EXCLUDED e.g load bearing walls	A = 0mm
---	---------

TC=thermot conductivity TC=non-combustable

Table: AVENUE MF 1600-40 GHE 3S

Installation dimensions (mm)

P	Q	R	S	T	Z
1669	390	1754	1849	416	NA

First aid and technical support:
 - support@metalfire.eu
 - +32 (0)9 261 50 57

scale 1:20 Rev.

www.metalfire.eu EN 613 CE

General dimensional tolerances up to 6mm
 Metalfire preserves the right to modify specifications without previous notice Sheet 2/3

WITH FINISHING FRAME 90/10

AVENUE Patented

metalfire

Technical Document

AVENUE MF 1600-40 GHE 3S

Prescribed insulation thickness (mm)

Combustable finishing material

Metalfire recommended
Promasil 1100L
(TC=0,081 W/mK)

A = 25mm

Non-combustable finishing material

non-combustable
materials
structural building items
EXCLUDED e.g load bearing walls

A = 0mm

TC-thermot conductivity

TC-non-combustable

Table: AVENUE MF 1600-40 GHE 3S

Installation dimensions (mm)

P	Q	R	S	T	Z
1669	390	1754	1849	416	NA

First aid and technical support:
- support@metalfire.eu
- +32 (0)9 261 50 57

scale 1:20

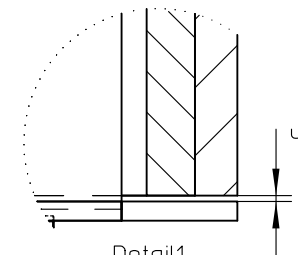
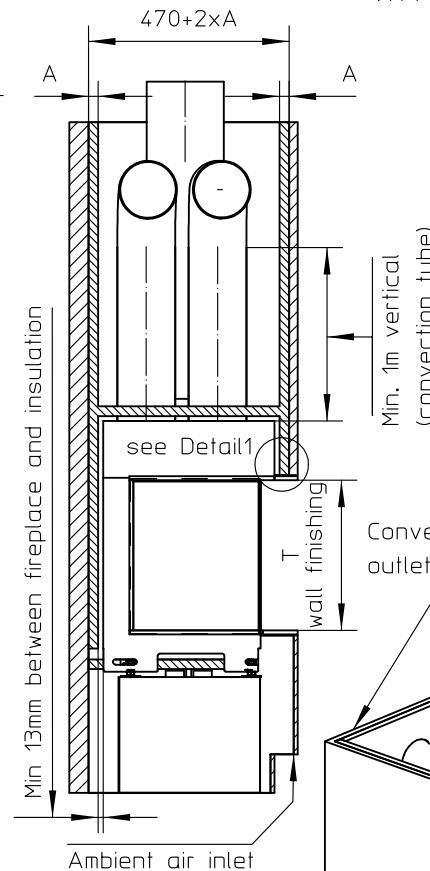
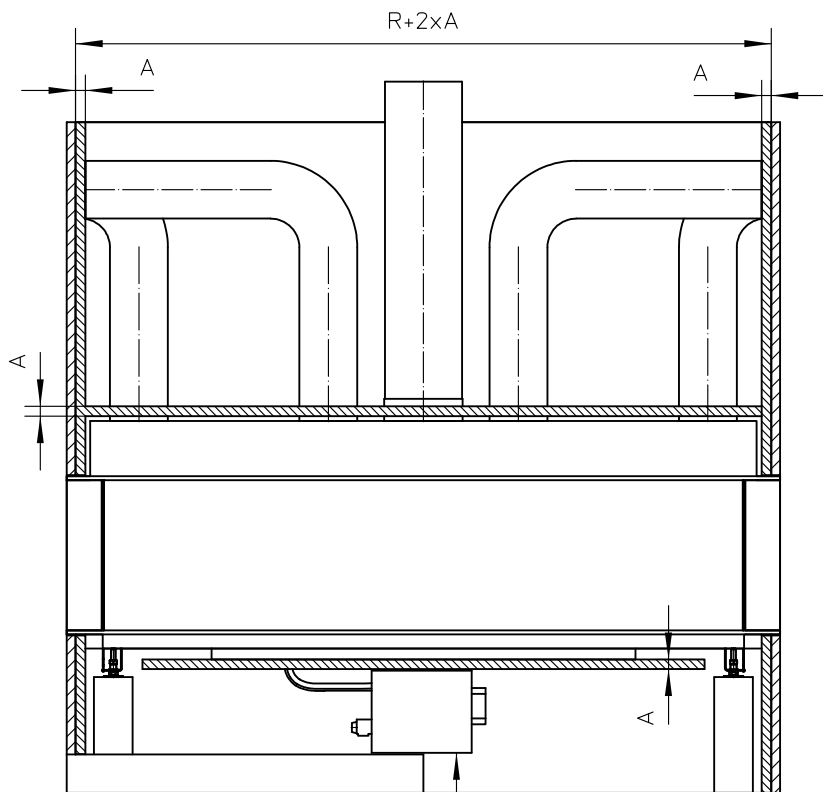
www.metalfire.eu

EN 613

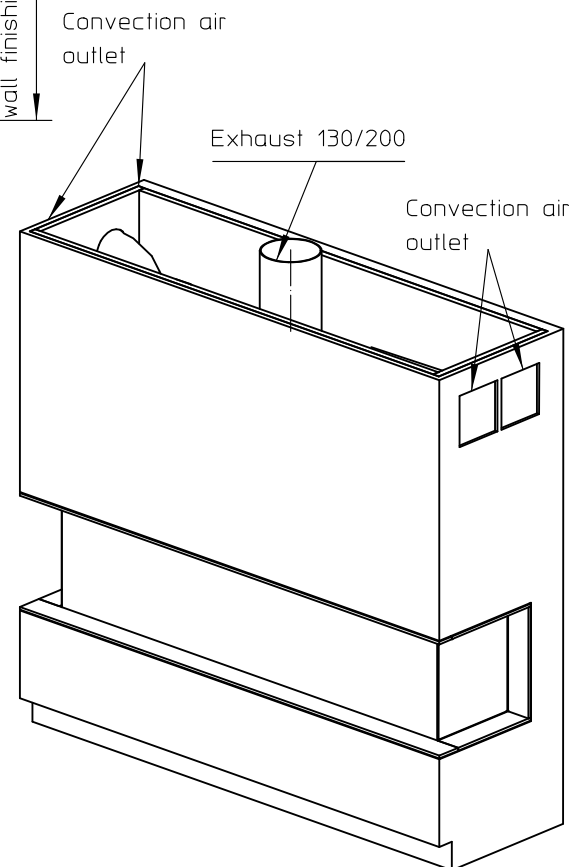
CE

General dimensional tolerances up to 6mm
Metalfire preserves the right to modify specifications without previous notice

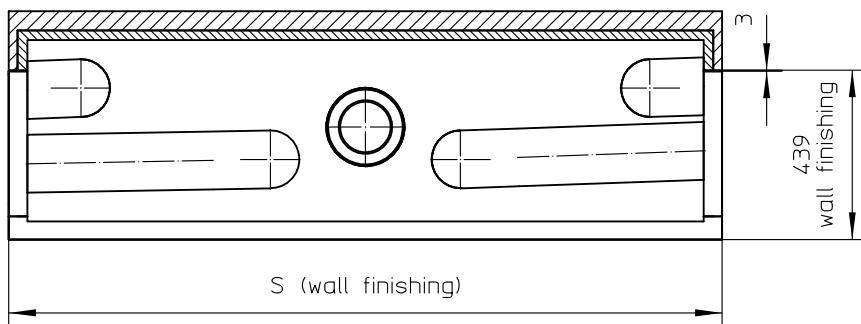
Sheet
3/3



Detail1
SCALE 1:4



Electrical/gas control unit
Standard connected with 1m flexible tube.
Optional: connected on right side and/or with an additional 1m tube(AT ORDER)
FORESEE ENOUGH AIR FLOW FOR COOLING



Combustable finishing material

Insulation

Insulation thickness = > see table