

AVENUE+ MF 800-40 GHE 1S

Dimensions (mm)

- combustion opening WxH: 800X390
- external WxDxH: 928x444x770
- diameter flue: $\varnothing 100/150$ or $(*) \varnothing 80/125$

TECHNICAL DATA

- Gascat: I2E+, I2E, I2H, I2L, I2ELL
- ECOLABEL: A
- load input: 6,00 kW
- load output: 5,40 kW
- efficiency capacity: 90,2 %
- type of gas/pressure: G20/G25

- Gascat: I3B/P, I3+
- ECOLABEL: B
- load input: 5,50 kW
- load output: 4,20 kW
- efficiency capacity: 84,2 %
- type of gas/pressure: G30/G31

- Appliance type: C11,C31,C91
C12,C32,C42,C52,C82
- Weight: 100 kg
- Convection air inlet: min350cm² (2x $\varnothing 150$)
- Convection air outlet: min350cm² (2x $\varnothing 150$)

SPECIFICATIONS

- Only available with ceramics wood logs
- Ionization-protected pilot-flame
- Radiographic remote controle with thermostatic mode
- Inside finishing: heat-resistant black paint
- Gas/electrical connections at the left side (optional right side)

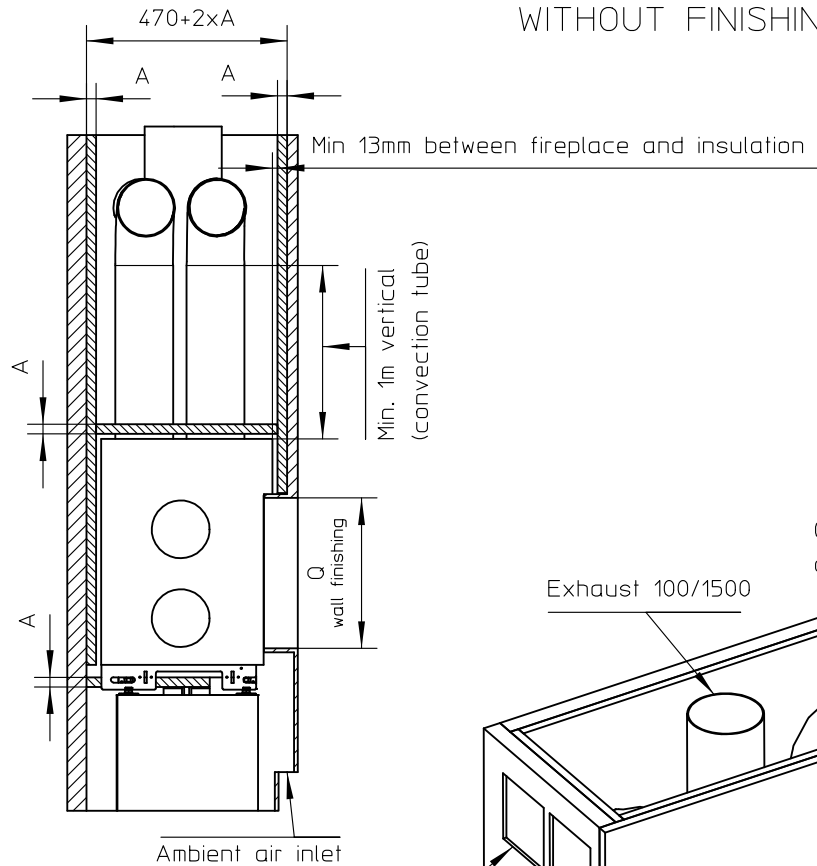
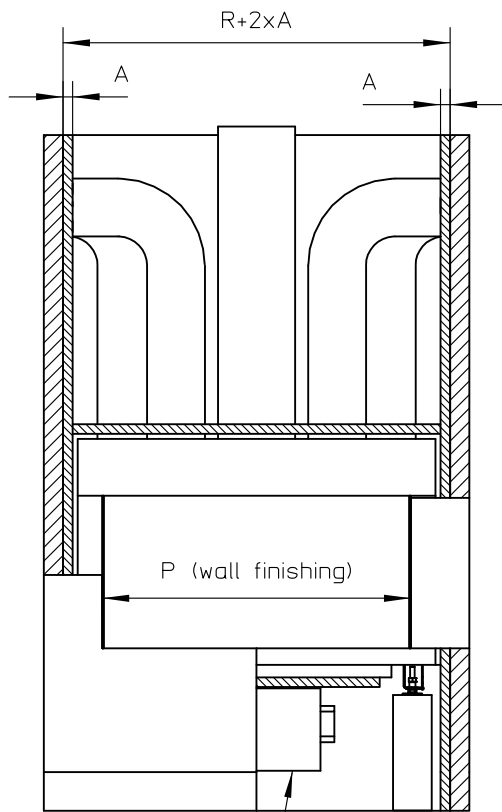
OPTIONS

- interior finishing: ORIGINAL (ribbed cast iron) 
- Standard (steel) 

First aid and technical support:

- support@metalfire.eu
- +32 (0)9 261 50 57

scale 1:20	Rev.
www.metalfire.eu	EN 613 CE
General dimensional tolerances up to 6mm Metalfire preserves the right to modify specifications without previous notice	Sheet 1/3



WITHOUT FINISHING FRAME

AVENUE Patented

metalfire

Technical Document

AVENUE+ MF 800-40 GHE 1S

Prescribed insulation thickness (mm)

Combustable finishing material

Metalfire recommended
Promasil 1100L
(TC=0,081 W/mK)

A = 25mm

Non-combustable finishing material

non-combustable
materials
structural building items
EXCLUDED e.g load bearing walls

A = 0mm

TC=thermal conductivity

TC=non-combustable

Table: AVENUE+ MF 800-40 GHE 1S

Installation dimensions (mm)

P	Q	R	S	T	Z
800	390	954	826	416	NA

First aid and technical support:
- support@metalfire.eu
- +32 (0)9 261 50 57

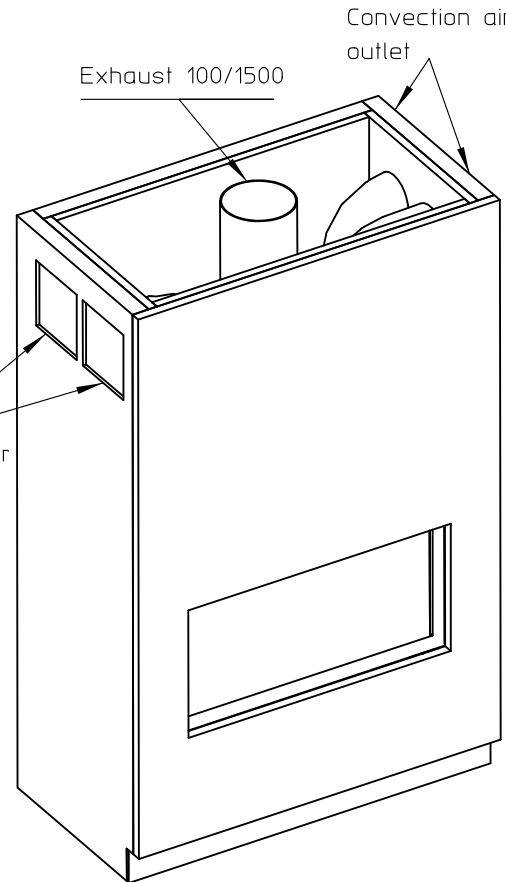
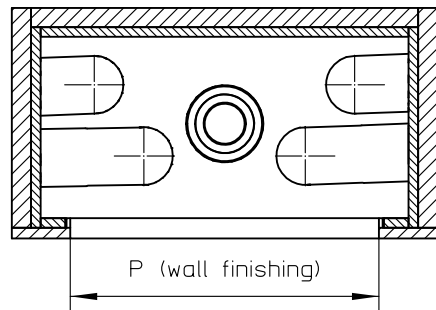
scale 1:20

www.metalfire.eu EN 613 CE

General dimensional tolerances up to 6mm
Metalfire preserves the right to modify specifications without previous notice

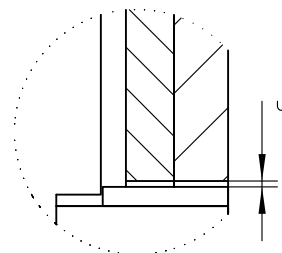
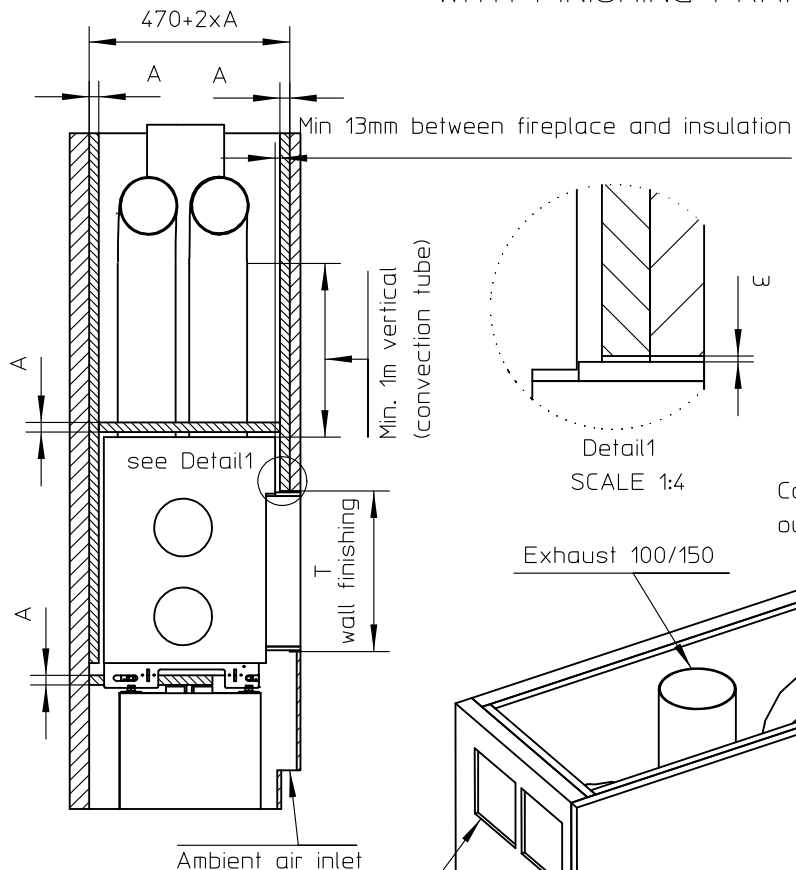
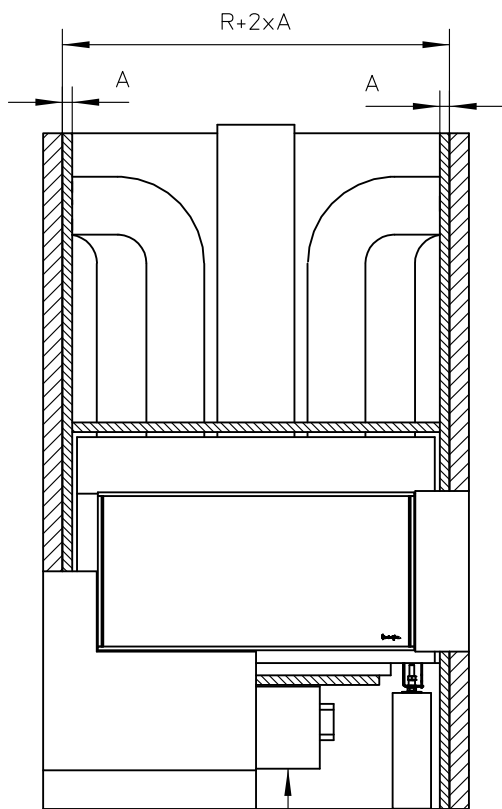
Sheet
2/3

Electrical/gas control unit
Standard connected with 1m flexible tube.
Optional: connected on right side and/or with an additional 1m tube(AT ORDER)
FORESEE ENOUGH AIR FLOW FOR COOLING

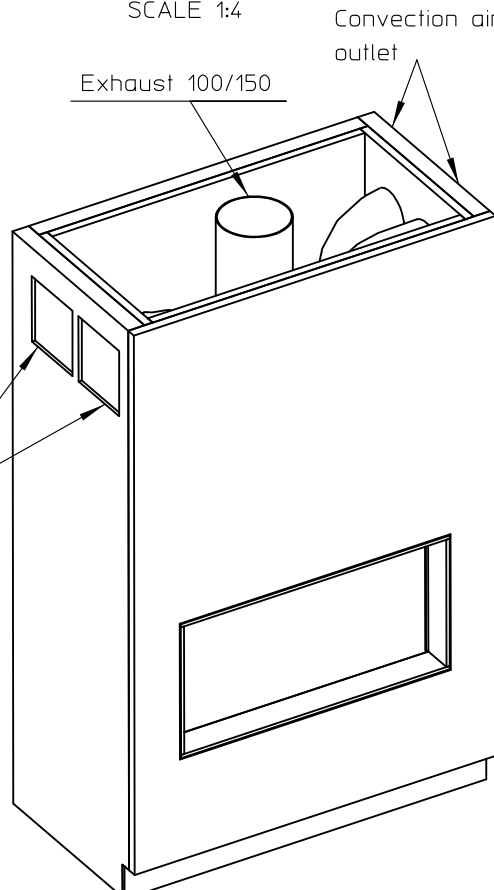


Combustable finishing material
 Insulation
 Insulation thickness = > see table

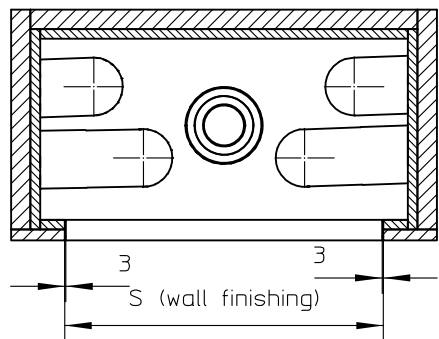
WITH FINISHING FRAME 90/10



Detail1
SCALE 1:4



Electrical/gas control unit
Standard connected with 1m flexible tube.
Optional: connected on right side and/or with an additional 1m tube(AT ORDER)
FORESEE ENOUGH AIR FLOW FOR COOLING



Combustible finishing material
 Insulation
 Insulation thickness = > see table

AVENUE Patented

metalfire

Technical Document

AVENUE+ MF 800-40 GHE 1S

Prescribed insulation thickness (mm)

Combustable finishing material

Metalfire recommended
Promasil 1100L
(TC=0,081 W/mK)

A = 25mm

Non-combustable finishing material

non-combustable
materials
structural building items
EXCLUDED e.g load bearing walls

A = 0mm

TC-thermot conductivity

TC-non-combustable

Table: AVENUE+ MF 800-40 GHE 1S

Installation dimensions (mm)

P	Q	R	S	T	Z
800	390	954	826	416	NA

First aid and technical support:
- support@metalfire.eu
- +32 (0)9 261 50 57

scale 1:20

Rev.

www.metalfire.eu

EN 613

CE

General dimensional tolerances up to 6mm
Metalfire preserves the right to modify specifications without previous notice

Sheet
3/3